

## Series 800H

### **Hydraulic Cable Winches**

Lift-Safe® hydraulic winches are specifically designed for lifting applications and optimum load control. Engineered for enhanced safety with redundant braking systems, and available in a variety of configurations. Lift-Safe® winches utilize Hydraulic Fail-Safe Motor Brakes and Counter-Balance valves to provide both static and dynamic braking. Lift-Safe® winches offer increase operational flexibility, and superior load control in lifting applications. The 800H Series are direct drive for use in small cranes, rear load waste packers, drill rigs, fishing boats, marine craft, mining and logging operations.



**UP TO 8,000 LBS.  
CAPACITY**

## Bloom Hydraulic Cable Winches – Standard Features

- |                    |   |
|--------------------|---|
| <b>MOTOR BRAKE</b> | - Spring applied hydraulic release motor brake automatically holds load when hydraulic pressure is released. Utilizes a Double counter balance valve making it ideal for high speed Lifting and Pulling Applications. |
| <b>GEAR CASE</b>   | - Made of high strength cast iron. Completely sealed for oil enclosed operation and to keep dirt out.   |
| <b>WORM SHAFT</b>  | - One piece alloy steel hardened and ground for extra durability. Compact design allows hydraulic motor to be coupled directly to worm.   |
| <b>WORM GEAR</b>   | - High tensile aluminum-nickel alloy bronze. Optimum lead and pressure angles transmit maximum power to the drum.   |
| <b>GEAR RATIO</b>  | - 20:1 standard, 10:1, optional ratios provide optimum efficiency in power and speed.   |
| <b>BEARINGS</b>    | - Worm gear and worm shaft run on tapered roller bearings. Outer end housing has sealed ball bearing.   |
| <b>DRUM SHAFT</b>  | - 1-1/4" diameter heat -treated alloy steel minimum tensile strength 150,000 psi.   |
| <b>CABLE DRUM</b>  | - Tough all steel construction resists breakage or warping.   |

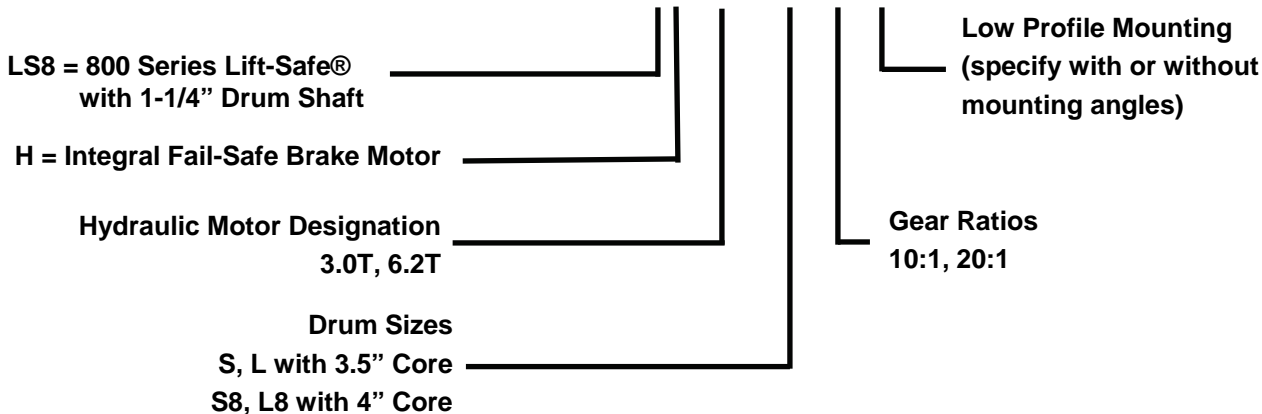




*"Quality Since 1910"*

## 800H Series Model Selection from Performance Data

### MODEL EXAMPLE: **LS8H-3.0T-L8-20-LP**



**(LS8H)** Indicates Lift-Safe® winch series 800H with 1-1/4" drum shaft.

**(3.0T)** Designates hydraulic motor. Motor size is determined from motor performance charts. All motors come with integral spring applied hydraulic release brake.

**(L8)** Select drum size from chart below:

### DRUM CAPACITY

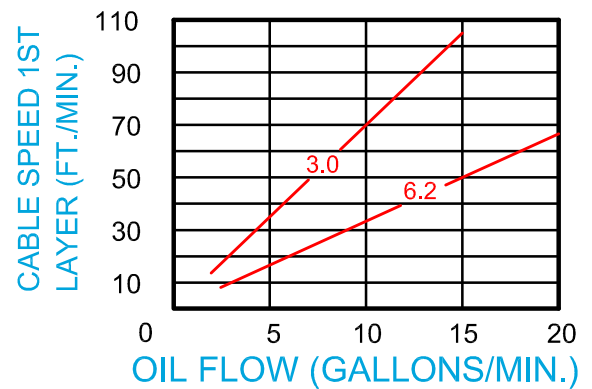
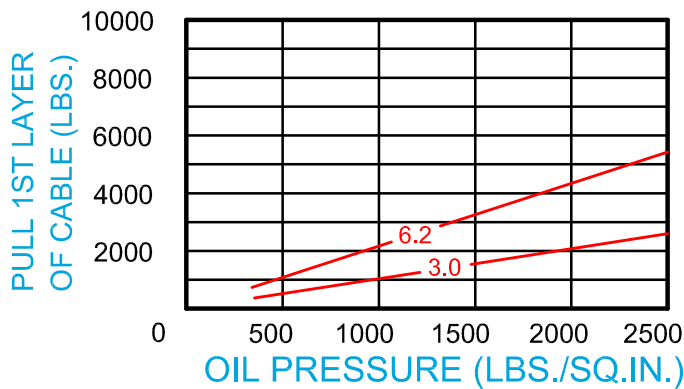
CABLE DIAMETER (IN.)	1/4	5/16	3/8	7/16	1/2
<b>DRUM "S" CAPACITY (FT.)</b>	120	70	45	30	25
<b>DRUM "S8" CAPACITY (FT.)</b>	260	160	105	75	55
<b>DRUM "L" CAPACITY (FT.)</b>	175	105	65	45	30
<b>DRUM "L8" CAPACITY (FT.)</b>	390	240	160	110	80

**(20)** Indicates gear ratio. 20:1 is standard. 10:1 is also available.

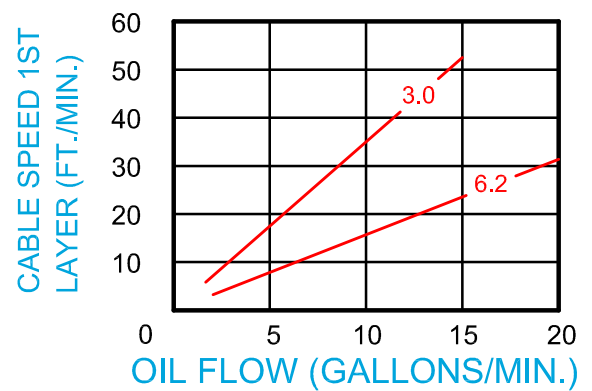
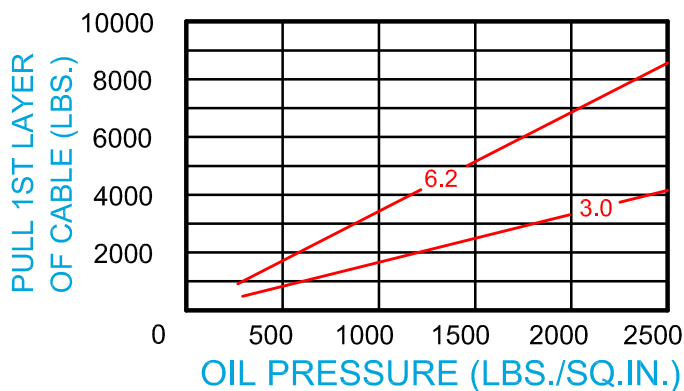
**(LP)** Design low profile mounting on 800H Series winches. 800H Low Profile Series winches with mounting angles are available with S, S8, L and L8 drums. However, it is necessary on all low profile whether the winch is to be supplied "with angles" or "less angles".

## 800H Series With Hydraulic Fail-Safe Brake Model Selection from Performance Data

10:1 RATIO (optional)



20:1 RATIO (standard)



## Bloom Manufacturing Inc.

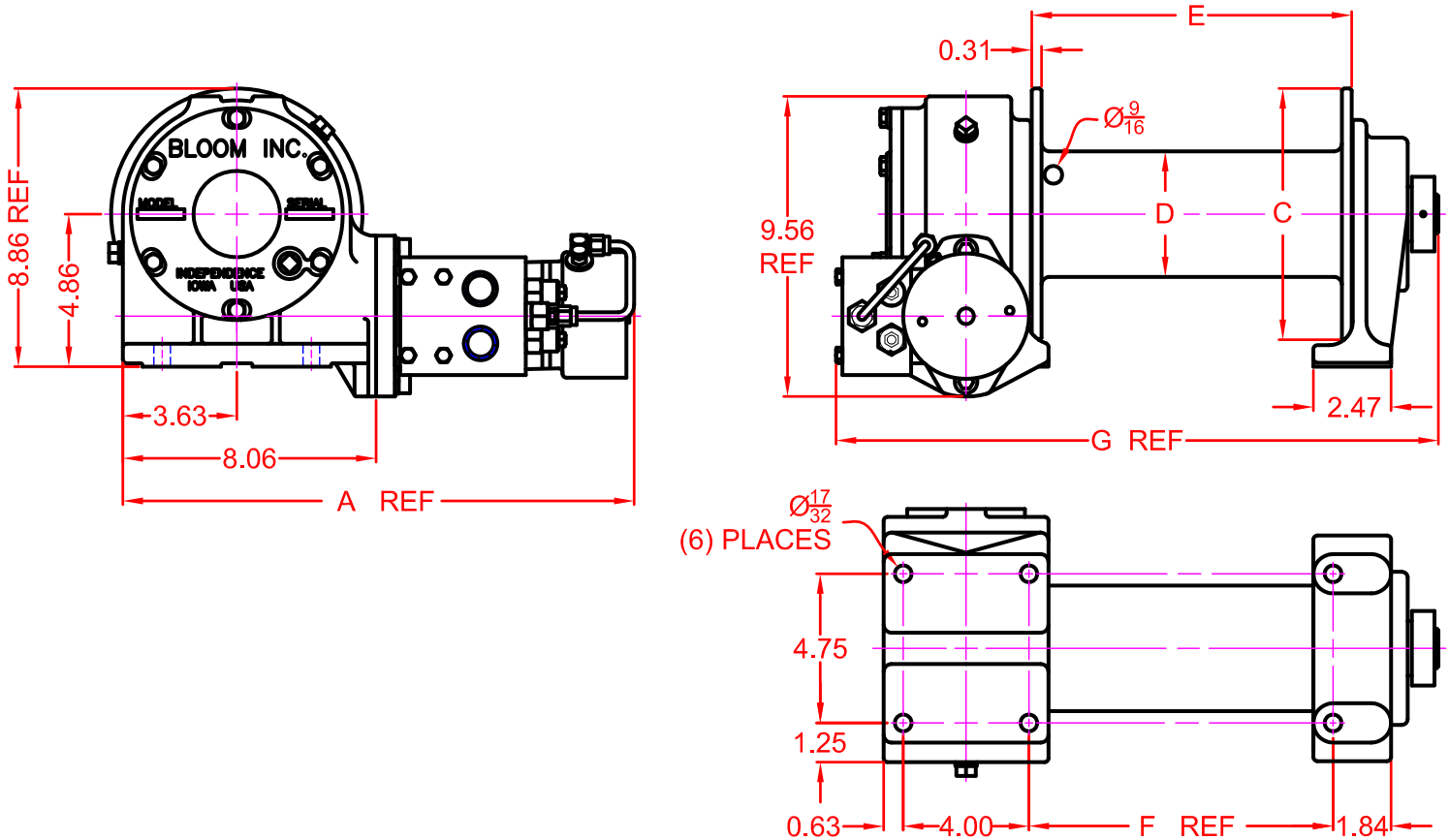


# LIFT-SAFE®

“Quality Since  
1910”

## Dimensional Drawings

800H Series With S, S8, L and L8 Drum  
Base Mount Model - Direct Drive



MOTOR DESIGNATION	3.0	6.2
A DIMENSION	15.91	16.28

DRUM DESIGNATION	WINCH DIMENSION				
	C	D	E	F	G
S	6	3.50	7.19	6.69	16.18
S8	8	4	7.19	6.69	16.18
L	6	3.50	10.19	9.69	19.18
L8	8	4	10.19	9.69	19.18

## Bloom Manufacturing Inc.

Winch Division  
1443 220th Street  
Independence, IA 50644

www.bloommfg.com  
Email: sales@bloommfg.com    engineering@bloommfg.com

800-394-1139 tel  
319-827-1139 tel  
319-827-1140 fax

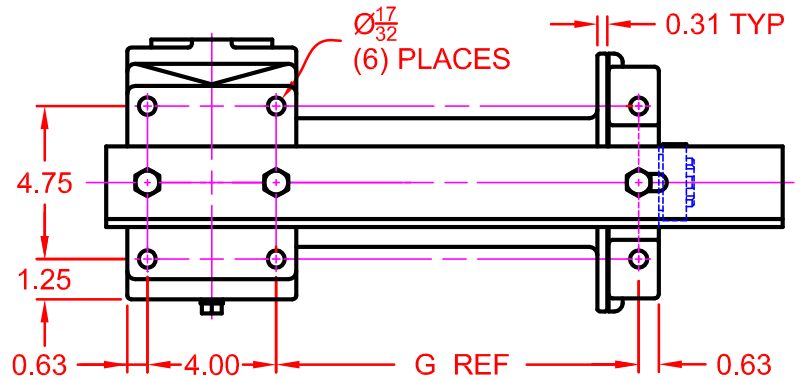
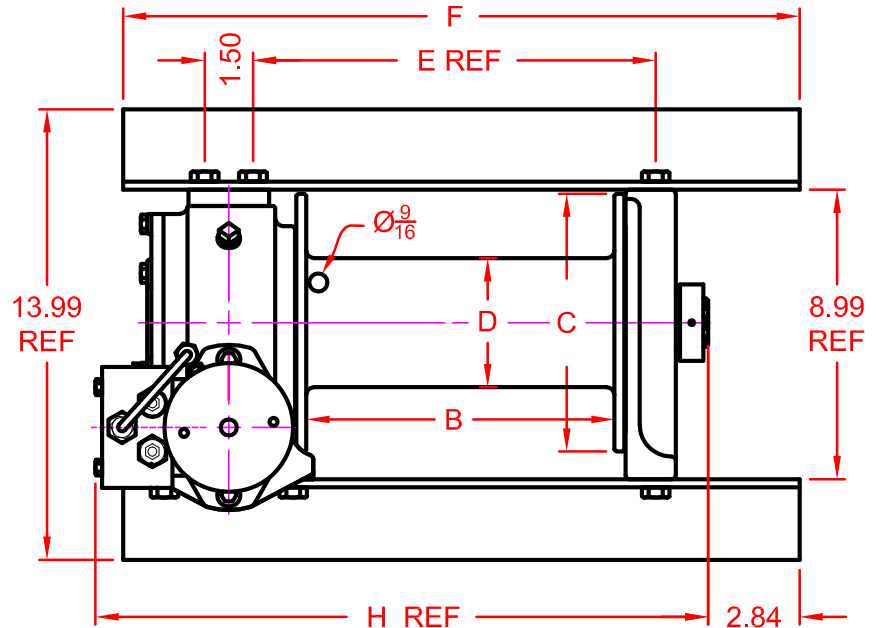
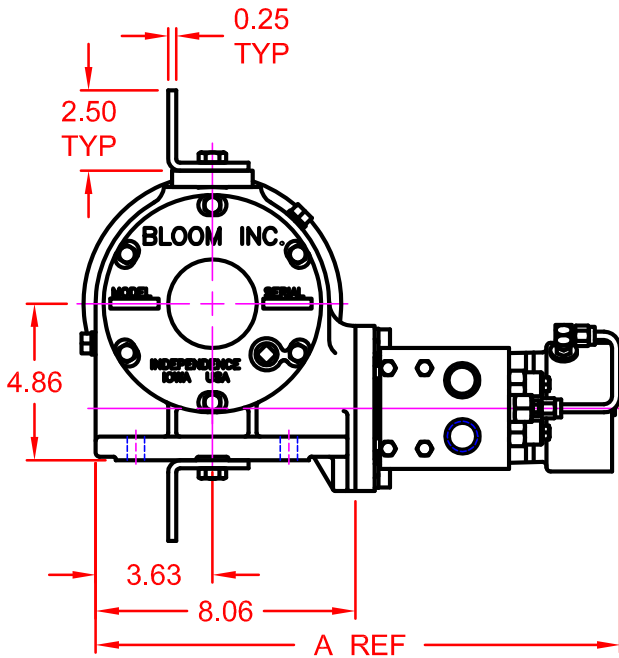


"Quality Since  
1910"

# LIFT-SAFE®

## Dimensional Drawings

800H Series With S, S8, L and L8 Drum  
Low Profile Mount - Direct Drive



MOTOR DESIGNATION	3.0	6.2
A DIMENSION	15.91	16.28

DRUM DESIGNATION	WINCH DIMENSION						
	B	C	D	E	F	G	H
S	7.19	6	3.50	9.50	18.00	8.25	14.50
S8	7.19	8	4	9.50	18.00	8.25	14.50
L	10.19	6	3.50	12.50	21.00	11.25	17.50
L8	10.19	8	4	12.50	21.00	11.25	17.50

## Bloom Manufacturing Inc.

Winch Division  
1443 220th Street  
Independence, IA 50644

www.bloommfg.com  
Email: sales@bloommfg.com    engineering@bloommfg.com

800-394-1139 tel  
319-827-1139 tel  
319-827-1140 fax

## Correct choice of Directional Control Valves for Bloom Winches

**Motor Spool Valve** – Work Ports are **open** to tank in neutral position

Use on all winches that use Counter Balance Valves to hold load.

Some winches may use a combination of CB Valve and Hydraulic Brake.

\*Winches require ridged mounting plate.

See owner's manual for information about proper mounting plate thickness or call Bloom Sales Engineer at factory.

### **WARNING!**

Goods are not intended for use in the moving or lifting of persons!

The winches described herein are neither designed nor intended for use or application to equipment used in the lifting or moving of persons and it is understood that all such use shall be at the sole risk of the user.

The cable clamps on winches are not designed to hold rated loads. A minimum of 5 wraps of cable must be left on drum barrel to guarantee holding of rated load.

Applications of winch where life would be endangered by any event are not recommended.



# **BLOOM Manufacturing Inc.**

## **Winch Division**

1443 220<sup>th</sup> Street, Independence, Iowa 50644

FAX 319-827-1140 PHONE 319-827-1139

[www.bloommfg.com](http://www.bloommfg.com)