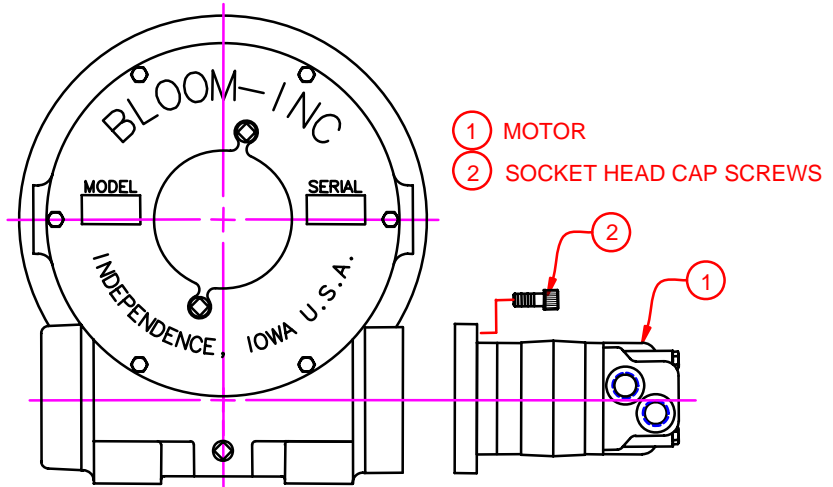




- 1) Drain oil from gear case.
- 2) Loosen set screw in eccentric collar, then turn collar counter-clockwise with punch to release it from bearing and shaft.
- 3) Remove end housing (direct drive) or clutch housing (clutch drive) assembly from drum shaft. If replacement of bushing is required, press bronze bushing out of end housing and remove grease zerk.
- 4) On clutch drive models, remove clutch dog and keys from shaft. Remove friction block and spring from clutch housing.
- 5) Remove drum from shaft.
- 6) On direct drive models, remove keys from drum shaft.
- 7) Remove motor from gear case.
- 8) Remove hydraulic-motor-to-gear-case-adapter being careful not to damage seal in adapter.
- 9) Remove end cap. 2
- 10) Remove worm shaft and bearings from gear case.
- 11) Remove gear case cover and bearings.
- 12) Remove bronze gear and drum shaft as a unit being careful not to damage shaft seal.
 

Note: Bronze gear is press fit on shaft.  
DO NOT remove unless absolutely necessary.
- 13) If necessary to replace bronze gear, remove snap ring and press gear off shaft.

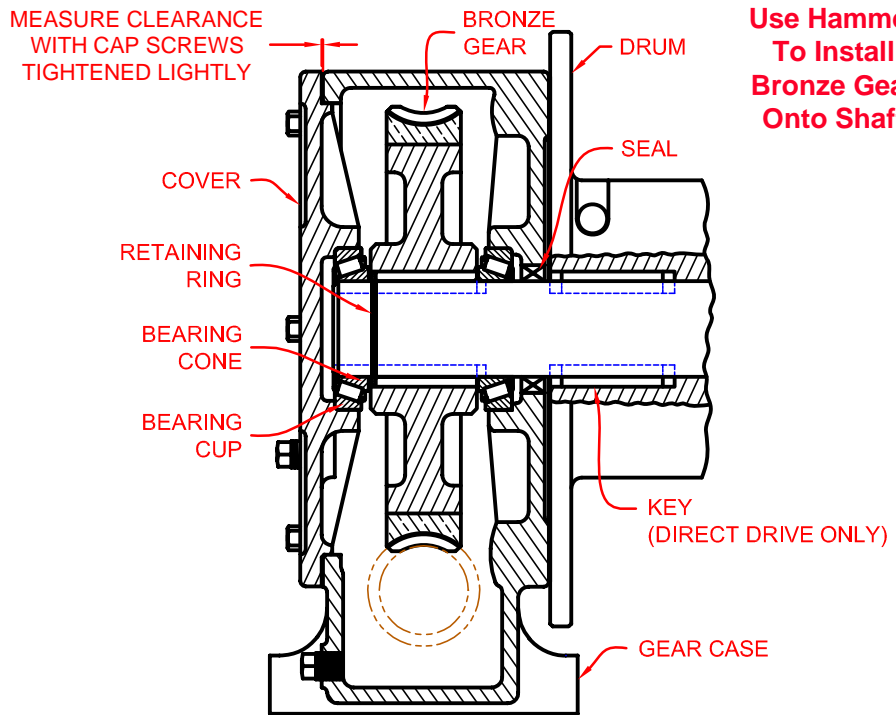


# Assembly Instructions

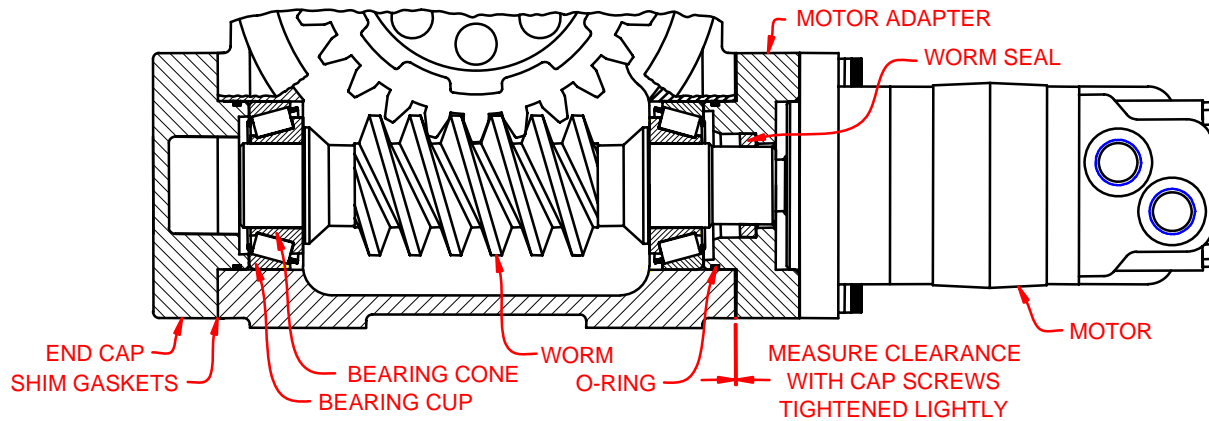
# 1400 & 1400C Series Winches

- 1) Clean gear case and all parts thoroughly, inspect oil seal and replace if worn or scored.
- 2) If bronze gear has been removed from shaft, care should be used to press the gear onto the shaft squarely. Press gear and keys onto shaft simultaneously. Locate gear so that counterbore in gear hub lines up with retaining ring groove in shaft. Install retaining ring.
 

Note: Retaining ring must be completely inside gear counterbore so that bearing shoulder seats against gear hub and not retaining ring.
- 3) Install gear and shaft assembly into gear case carefully to prevent damage to the shaft seal. 4) Bolt cover to gear case without shim gaskets. Tighten the screws lightly and evenly. Measure clearance between cover and gear case with feeler gage and remove cover. For proper bearing pre-load, install shim gaskets (red - .002", blue - .005", brown - .010") onto cover as required with a thickness that is .003" to .005" less than the measurement. Re-bolt cover securely. Check bearing thrust by turning drum shaft. Shaft must turn freely but with just a slight amount of resistance.
- 5) Install bearing cup into end cap side of gear case.
- 6) Install O-ring on end cap. Bolt end cap to gear case securely with (2) brown shim gaskets from Motor Adapter Gasket Kit.
- 7) Turn gear case so worm can be installed vertically. Drop bearing cone into gear case and make sure it seats in bearing cup. Install worm into gear case. Insert end of worm through bearing so that bearing seats against worm shoulder.



- 8) Place second bearing cone on worm shaft shoulder. Install bearing cup over cone. Turn worm by hand to make sure it turns freely.
- 9) Bolt motor adapter to gear case without shim gaskets. Tighten the screws lightly and evenly. Measure clearance between adapter and gear case with a feeler gage and remove adapter. For proper bearing pre-load, install shim gaskets (red - .002", blue - .005", brown - .010") onto adapter as required with a thickness that is .003" to .005" less than the measurement. Press worm shaft seal into motor adapter. Install O-ring on adapter and re-bolt securely to gear case. Install 5/16" X 5/16" X 1-1/4" key onto motor shaft and bolt to motor gear case adapter using (1) W-239 brown motor gasket and (2) 1/2" X 1-1/2" socket head cap screws.



- 10) **DIRECT DRIVE:** Install keys in drum shaft. Grease drum shaft with multi-purpose lithium grease or equivalent and install drum.  
**CLUTCH DRIVE:** Grease drum shaft with multi-purpose lithium grease or equivalent and install drum. Install keys in drum shaft. Slide clutch dog onto drum shaft.
- 11) If bronze bushing in end housing has been removed, press in new bushing. Hone inside diameter of bushing to 2.252 - 2.253". Place drill in grease zerk hole and drill a 1/4" hole through bushing. Install grease zerk.
- 12) **DIRECT DRIVE:** Install end housing on drum shaft. Leave about 1/16" clearance between drum and end housing. Place locking collar against end housing and tighten set screws.  
**CLUTCH DRIVE:** Install clutch housing and clutch handle assembly on drum shaft. Locate clutch handle pins in clutch dog groove. Place clutch lever pin in "engaged" position on clutch position plate. Install spring and friction block into end housing. Move clutch housing assembly towards drum so that clutch dog is fully engaged in drum. There should be about 1/16" clearance between friction block housing and drum. Adjust clutch position plate for proper clearance if necessary. Move clutch lever pin to the "disengaged" position and check for sufficient clearance between drum and clutch dog. Place locking collar against end housing and tighten set screws.
- 13) **Base Mounted:** Fill gear case with (4) pints, **All Other Mounting Positions:** Fill gear case with (6) pints **Bloom ULLTRA-LUBE NO. 601 TRANS-WORM GEAR OIL**; available from Bloom in pints or quarts. The hardened steel worm shaft must run in oil. For emergency situations when **Bloom ULLTRA-LUBE NO. 601** is not immediately available, use Phillips 6 Company SAE grade 80W90 superior multi-purpose gear oil (Phillips 80W90 SMP) meeting API classification GL-5 or equivalent competing brand. Continuous use of oil other than **Bloom ULLTRA-LUBE NO. 601** or Phillips 80W90 SMP may shorten the life of the gears. **DO NOT** mix **Bloom ULLTRA-LUBE NO. 601** or Phillips 80W90 SMP with more than 50% of any other kind of oil.

